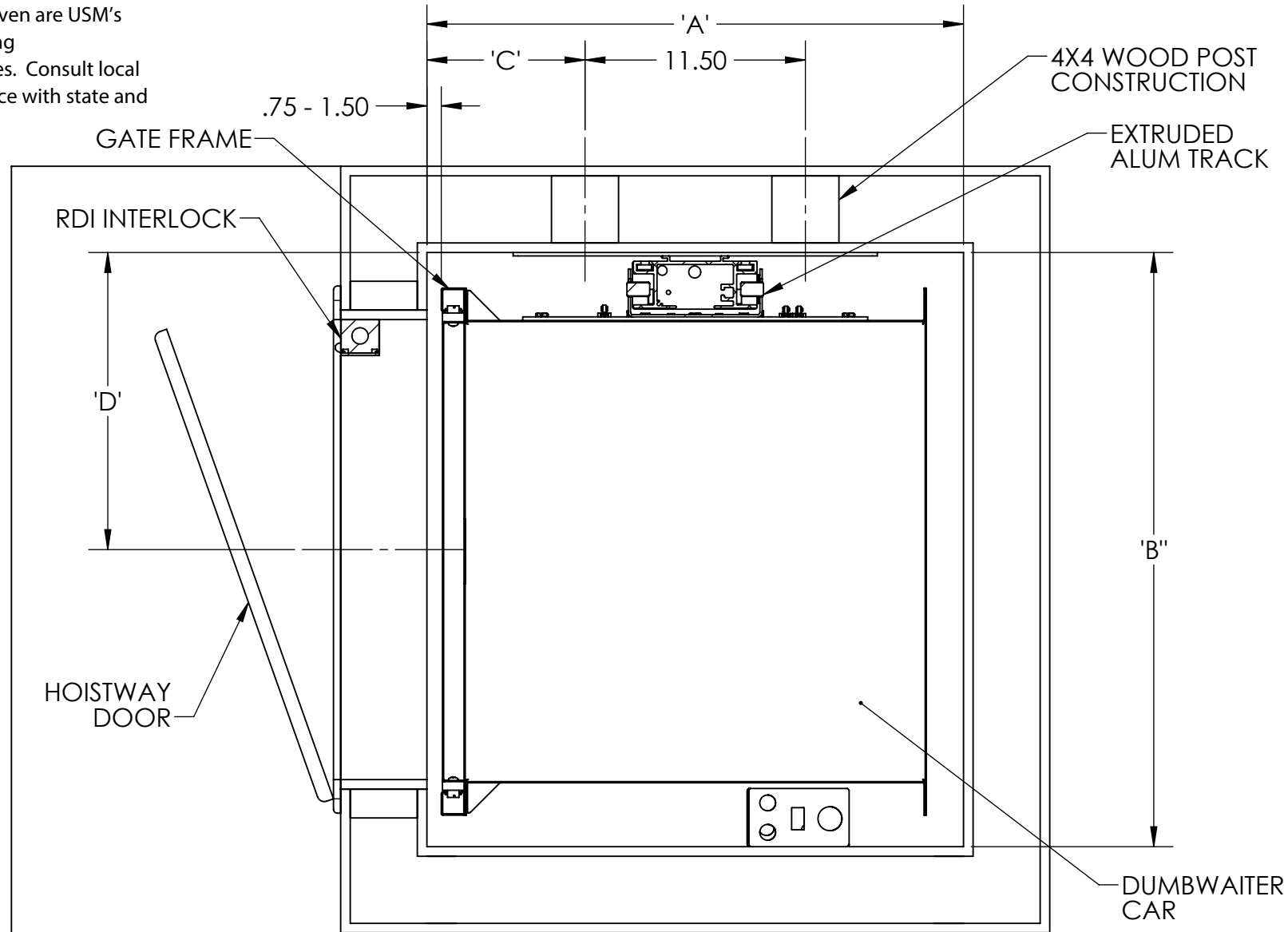


This generic drawing shows nominal dimensions useful for INITIAL planning of a dumbwaiter project. BEFORE beginning actual construction, be sure to request application drawings customized with dimensions for your specific project. Hoistway construction requirements may vary from state to state. Dimensions given are USM's recommended sizes, reflecting running and access clearances. Consult local authority to assure compliance with state and local codes.



Dumbwaiter Specs

- CAR SIZE: 20"W X 20"D X 30"H
- 24"W X 24"D X 30"H
- 30"W X 30"D X 36"H
- DRIVE SYSTEM: BATTERY POWERED RACK AND PINION
- FINISH: POWDER COATED (RAL 9002)
- SPEED: 16-20 FPM
- POWER SUPPLY: 110VAC
- TRACK: 6063-T6 EXTRUDED ALUMINUM
- CONTROLS: AUTOMATIC OPERATION, WIRELESS PUSH BUTTON CONTROL AT EACH LANDING
- MOTOR: 140 WATT, 24VDC
- BRAKE: 24VDC
- CAR GATE: BI-PARTING VERTICAL SLIDING PANELS
- SAFETY DEVICE:
 - LIMIT SWITCHES AT EACH STOP
 - FINAL LIMIT AT TOP AND BOTTOM
 - CAR GATE SWITCH
 - ELECTROMECHANICAL HOISTWAY DOOR INTERLOCKS
 - OVERSPEED GOVERNOR

PLAN VIEW OF HOISTWAY
SCALE 1 : 8

SINGLE OPENING - LEFT HAND CAR					
CAR SIZE	'A'	'B'	'C'	'D'	CAPACITY
20 x 20	24"	27"	6.25"	13.5"	200#
24 x 24	28"	31"	8.25"	15.5"	200#
30 x 30	34"	37"	11.5"	18.5"	275#

HOISTWAY DIMENSIONS TO FINISHED WALLS.
HOISTWAY DOOR CAN SWING EITHER DIRECTION. LEFT HAND SHOWN

UNLESS OTHERWISE SPECIFIED:		NAME	DATE
DIMENSIONS ARE IN INCHES		DRAWN	10/18/16
TOLERANCES:		CHECKED	
FRACTIONAL ±1/16		ENG APPR.	
ANGULAR: ±0.5°		MFG APPR.	
ONE PLACE DECIMAL ±0.1		Q.A.	
TWO PLACE DECIMAL ±0.01		COMMENTS:	
THREE PLACE DECIMAL ±0.005			
INTERPRET GEOMETRIC TOLERANCING PER:			
MATERIAL			
FINISH			
DO NOT SCALE DRAWING			
TITLE: SINGLE ENTRY LEFT HAND			
SIZE B	DWG. NO. DW-SLE	REV A	
SCALE: 1:48		WEIGHT:	SHEET 1 OF 1